

THIS DRAWING IS UNPUBLISHED. RELEASED FOR PUBLICATION  
 © COPYRIGHT BY TYCO ELECTRONICS CORPORATION. ALL RIGHTS RESERVED.

LOC	DIST	REVISIONS			
P	LTR	DESCRIPTION	DATE	DWN	APVD
FT	0	G	REVISED PER ECO-06-23340	10/4/06	SS DC

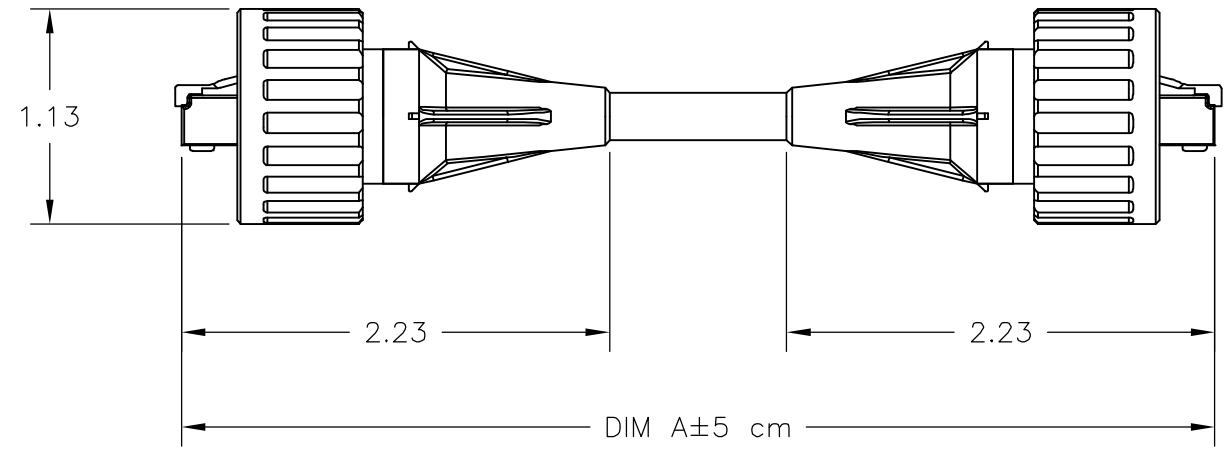
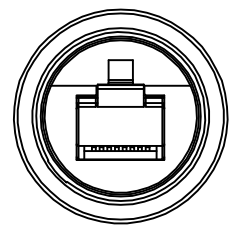


FIGURE 1

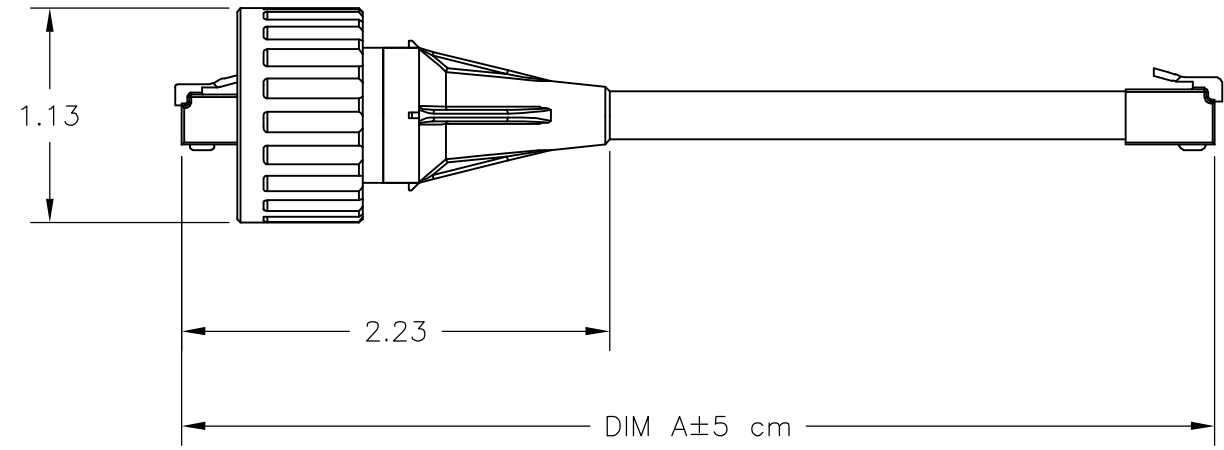
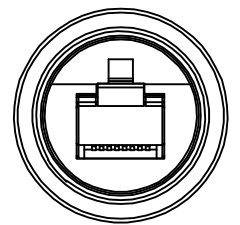
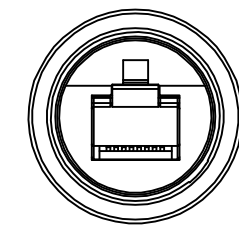


FIGURE 2



FIGURE	DIM A	PART NO.
FIG 2	2 METERS+8.89/-0 CM	1-1546451-4
FIG 1	10 METERS+31.75/-0 CM	1-1546451-3
FIG 1	5 METERS+16.51/-0 CM	1-1546451-2
FIG 1	1 METER+5.56/-0 CM	1-1546451-1
SUPERSEDED	FIG 2 2 METERS	1546451-4
SUPERSEDED	FIG 1 10 METERS	1546451-3
SUPERSEDED	FIG 1 5 METERS	1546451-2
SUPERSEDED	FIG 1 1 METER	1546451-1

THIS DRAWING IS A CONTROLLED DOCUMENT.		DWN S SCHLEGEL 12NOV02	Tyco Electronics Corporation Harrisburg, PA 17105			
DIMENSIONS: INCHES		CHK H WAKEEM 11/12/02				
TOLERANCES UNLESS OTHERWISE SPECIFIED: 0 PLC ± - 1 PLC ± - 2 PLC ± .02 3 PLC ± .005 4 PLC ± - ANGLES ± 2'		APVD H WAKEEM 11/12/02	NAME			
		PRODUCT SPEC	INDUSTRIAL ETHERNET CORDSET, SOLID CORE, DOUBLE ENDED INDUSTRIAL			
MATERIAL		APPLICATION SPEC	SIZE	CAGE CODE	DRAWING NO	RESTRICTED TO
-		WEIGHT	A3	00779	C-1546451	-
CUSTOMER DRAWING			SCALE	SHEET	REV	
			NTS	1 OF 1	G	